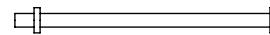
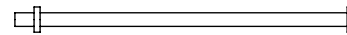
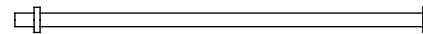
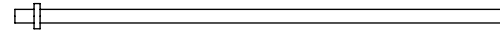


Post mounted banner

Stainless steel band or tamtorques

Rubber gaskets are available to protect the post or column



915 max

760

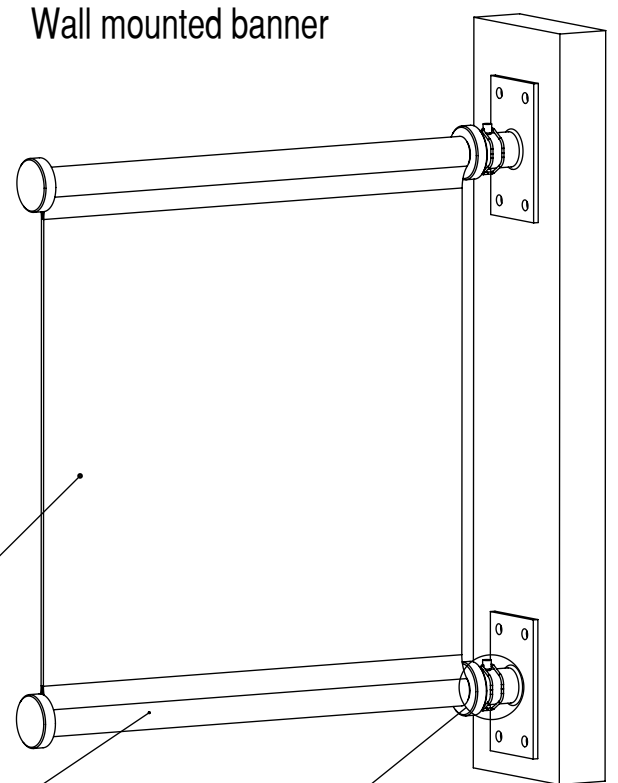
610

457

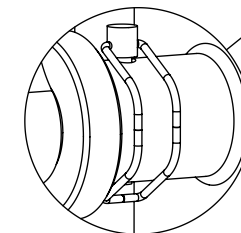
Standard banner widths
 (Non standard widths available on request)

Banner should be stitch-seamed along the vertical edges on long drops and the pockets which will receive the poles. It is also advisable to put grommets in the corners above and below the pockets. For exterior applications, always use reinforced, heavy duty/premier grade banner material.

The system consists of two rigid horizontal supports, fabricated from aluminium pipe



Wall mounted banner



Quick release
 (Available on both systems)