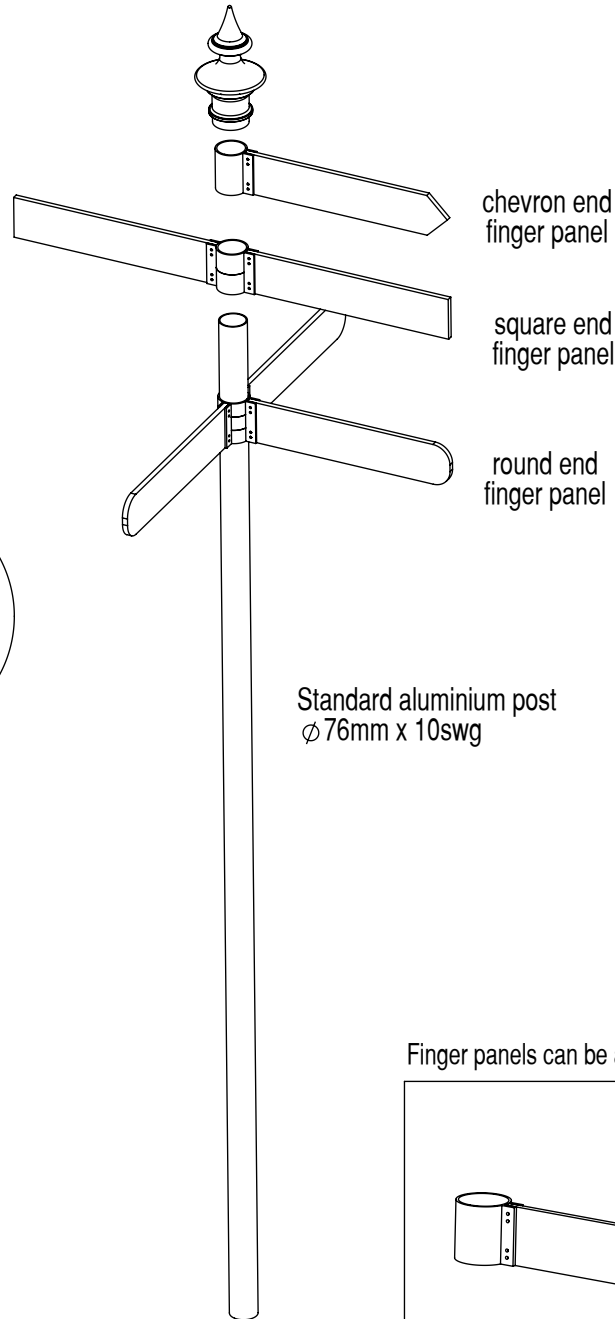
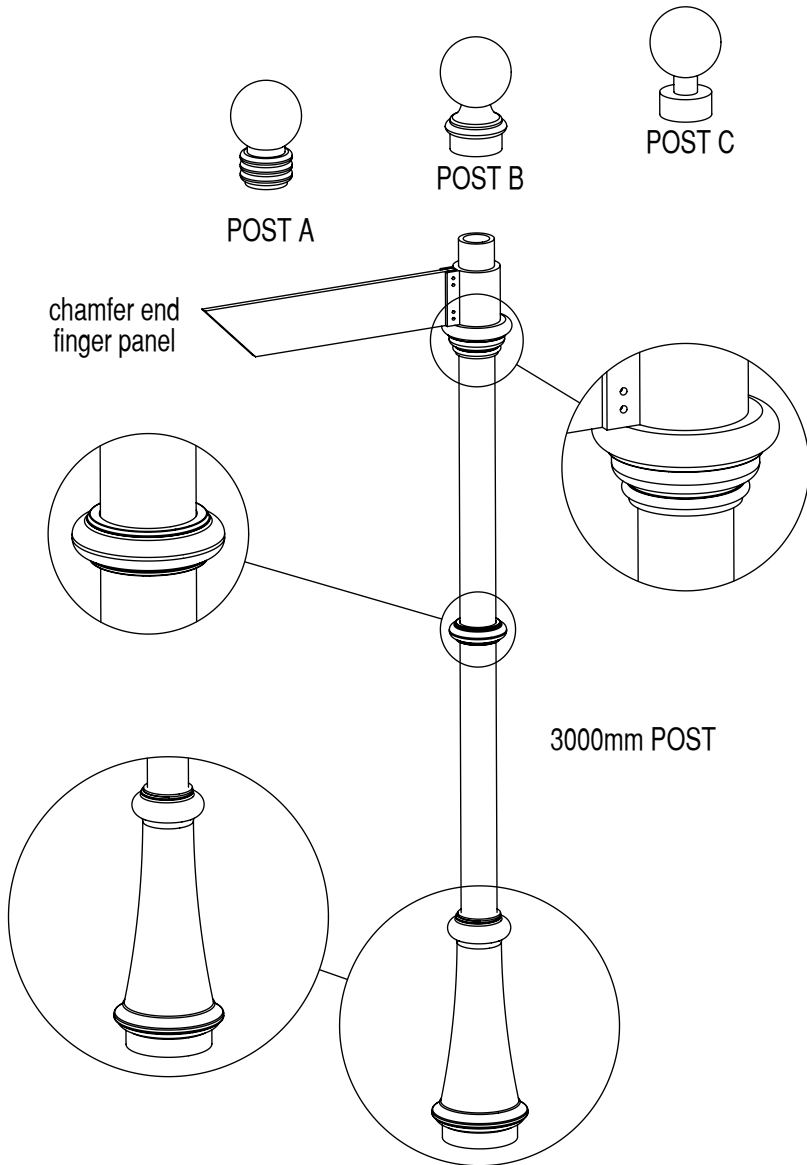


Fingerpost



t 01934 852888
f 01934 852816
e sales@signscape.co.uk
w www.signscape.co.uk



Finger panels can be arranged in any direction by simply rotating through 360° before locking

