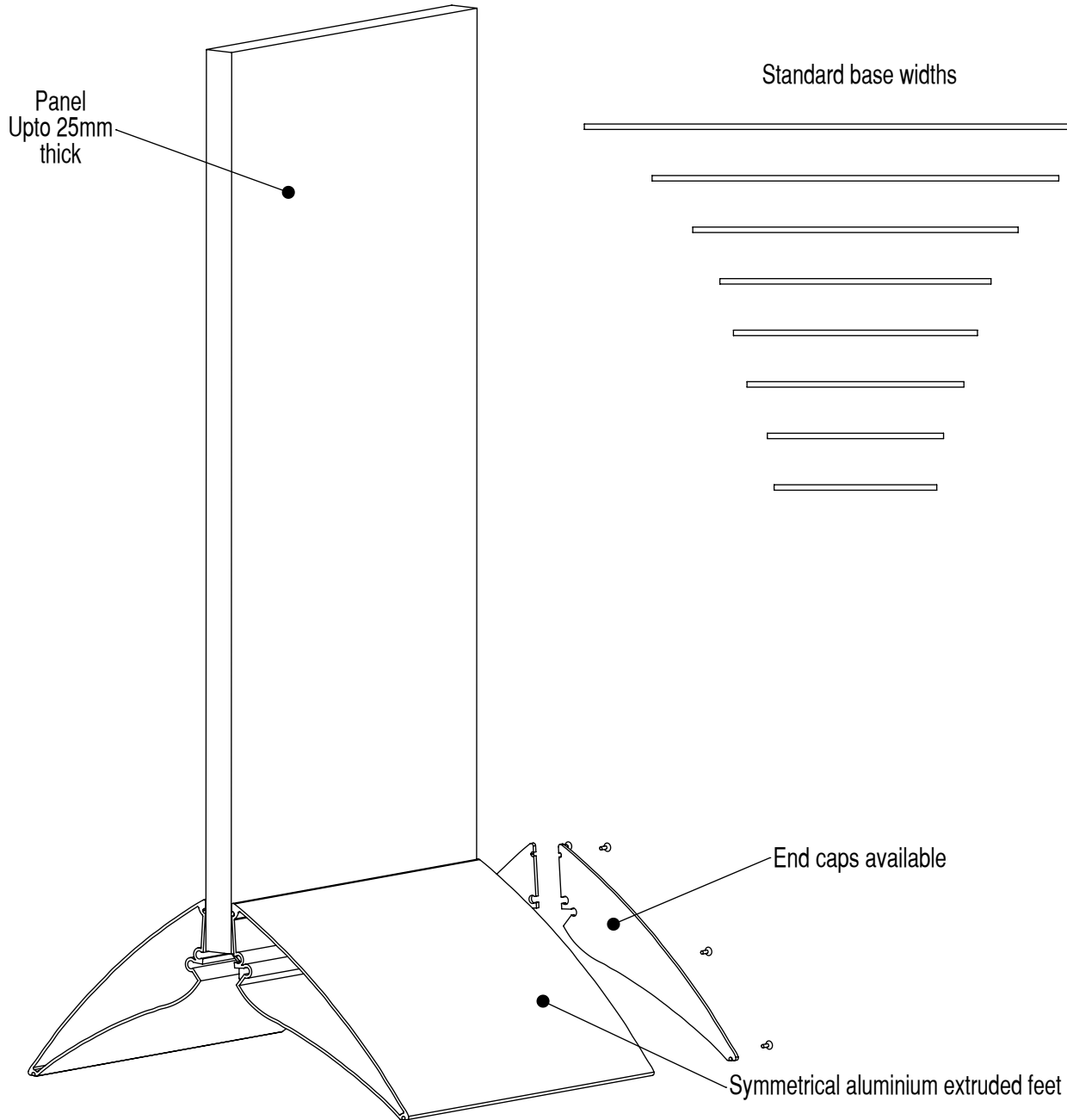
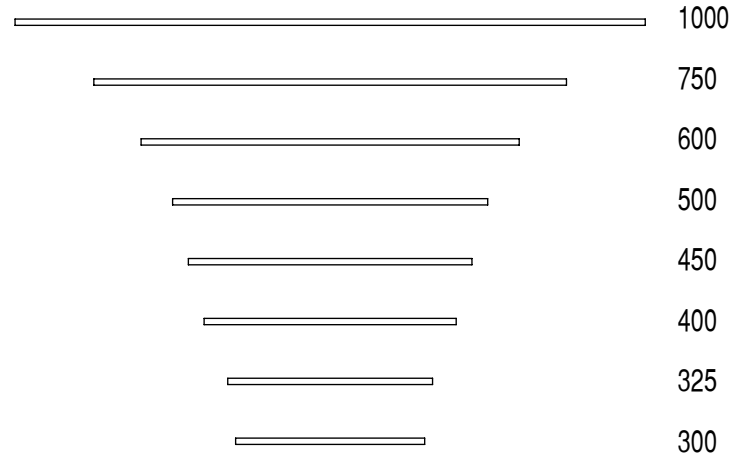


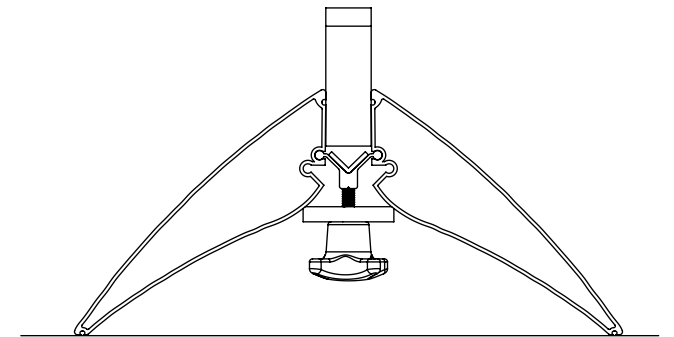
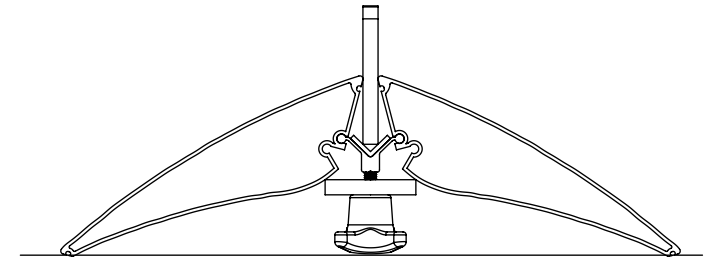
Base



Standard base widths



t 01934 852888
f 01934 852816
e sales@signscape.co.uk
w www.signscape.co.uk



Adjustable feet to accept panels
upto 25mm thick